

CYPRESS

EXCELON™-AUTO F-RAM™ MEMORY

Performance, reliability, and instant nonvolatility in low-pin-count Memory

Automotive systems require memories to continuously log and instantly capture sensor data in the event of power loss. Such harsh operating environments with demanding requirements for cycling endurance and data retention need the most-robust performance possible, while supporting efficient low-pin-count and high-speed interfaces. Excelon AEC-Q100 1 and 3-qualified mission-critical memories support a 50-MHz SPI interface with 10 trillion cycle write endurance, fast writes and instant nonvolatility.



FEATURES

HIGH PERFORMANCE

- 50 MHz SPI and 108 MHz SDR QSPI interfaces
- No write delay
- True RAM performance; no data polling before writes

RELIABLE

- Instant nonvolatility
- 10 trillion (10^{13}) cycle endurance
- No wear-leveling required
- 100+ year data retention
- No battery or capacitor required

AUTOMOTIVE READY

- -40°C to 85°C and -40°C to 125°C Automotive Grade
- AEC-Q100 Grade1 and 3
- ISO 26262 functional-safety compliant
- Embedded ECC

EXCELON F-RAM ADVANTAGES:

Excelon F-RAM memories combine nonvolatile data storage with the fast speed of RAM. Excelon F-RAM has three distinct advantages over traditional nonvolatile memories:

- Fast write speed with no write delay
- Virtually unlimited endurance
- Industry's most energy-efficient NVRAM

Excelon F-RAM operates with the same host processor interfaces and timing as other memories such as SRAM, EEPROM, and serial Flash, but takes advantage of its fast write speed to eliminate write delays due to “soak time” or page/sector buffering required of other technologies. Instant writes eliminate “data at risk” resulting from unexpected power loss.

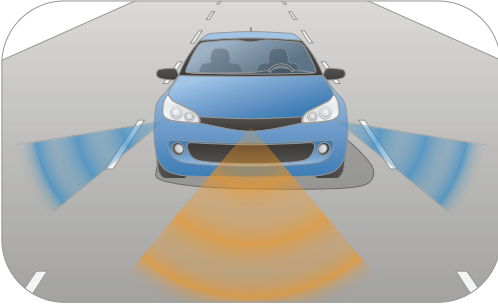
APPLICATIONS

Cypress' Excelon-Auto F-RAM is an ideal solution for a variety of automotive applications, including:

- Camera and sensor data capture for ADAS systems
- Event data recorders
- ECUs
- Infotainment
- Body control



AUTOMATED DRIVER-ASSIST SYSTEMS (ADAS)

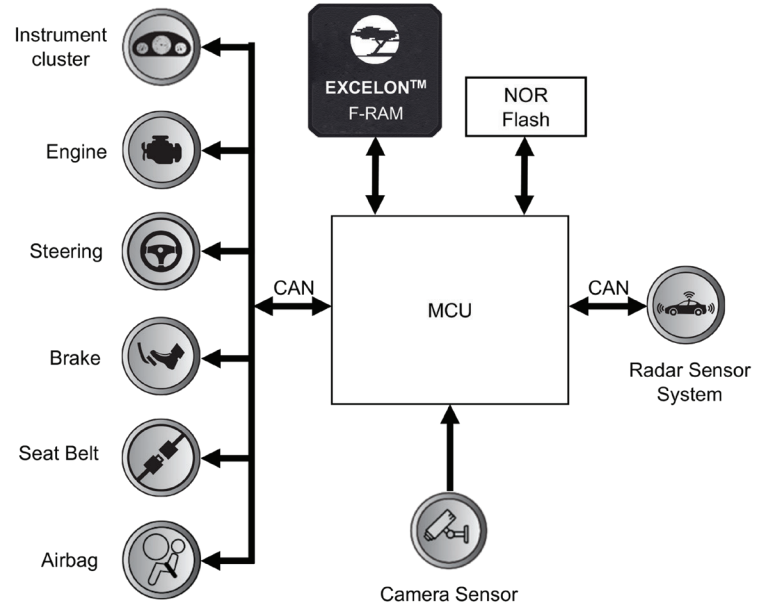


PROBLEM

I must reliably capture the last camera and sensor data instantly on power loss, while meeting automotive quality and long life cycles.

SOLUTION

Excelon-Auto captures data instantly with no soak time requirement and without any additional back-up components. It supports endurance cycling of 10-trillion write cycles to log data for 20 years, and provides AEC-Q100-qualified and functional-safety-compliant memory components.



Cypress Semiconductor Corporation

198 Champion Court, San Jose CA 95134
phone +1 408.943.2600 fax +1 408.943.6848
toll free +1 800.858.1810 (U.S. only) Press "1" to reach your local sales representative

© 2018 Cypress Semiconductor Corporation. All rights reserved. All other trademarks are the property of their respective owners.
002-22928 Rev.**

